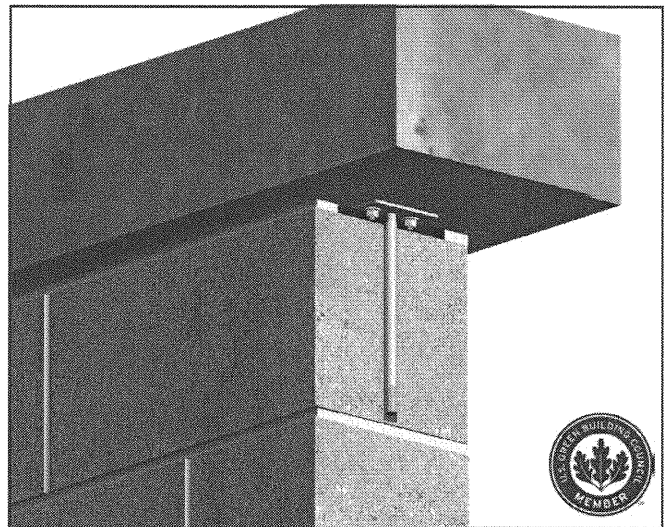
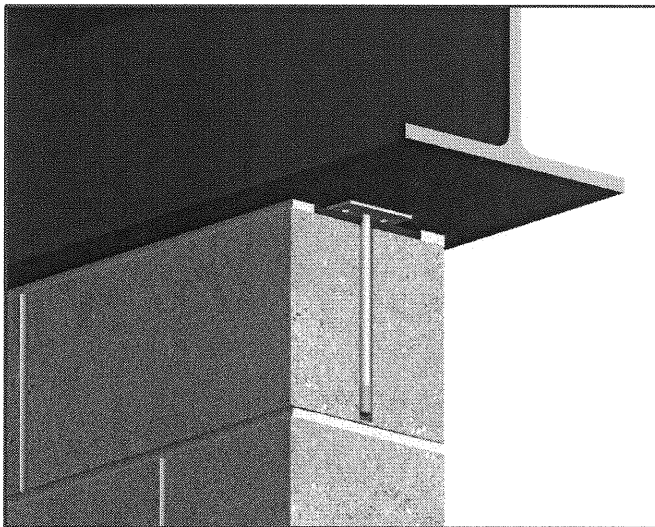
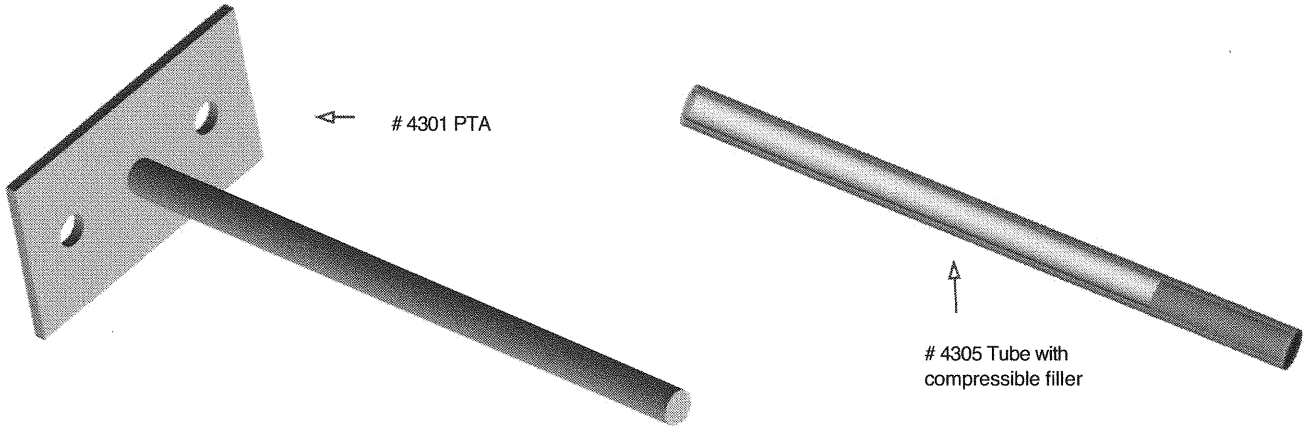
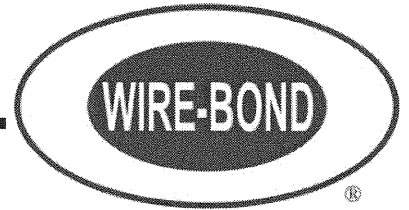


# PRODUCT SUBMITTAL

## Partition Top Anchor ( #4301 )



### MATERIAL CONFORMANCE

**SHEET METAL** - (Carbon Steel) **ASTM A1008 / A1008M**

**ROD: ASTM A82 / A82M**

Mill Galvanized / Zinc Coating: **ASTM A641 / A641M (0.10 Oz per sq ft)**

Hot Dip Galvanized after fabrication / Zinc Coating  
**ASTM A153 / A153M-B2 (1.50 oz per sq ft)**

Stainless Steel **ASTM 580 / ASTM 580M Type 304** (Type 316 available on special order)

**TUBE:** Clear Butyrate **ASTM D542, D148, D696, D257**

### SIZES / FINISHES

**# 4301 Plate:**

12 gauge x 2" x 3"

**# 4301 Rod:**

3/8" x 7"

**FINISH:**

- Mill Galvanized
- Hot Dip Galvanized
- Stainless Steel

**Steel Products (flats):**

Mill Galvanized & Hot Dip,  
59.2% Post-Consumer  
8.8% Post Industrial / Pre -  
Consumer

**ROD Recycled Content:**

Mill Galvanized & Hot Dip,  
87% Post-Consumer  
13% Post Industrial / Pre -  
Consumer

Stainless Steel, 60%Post Consumer V O C Content -0%



**MASONPRO, Inc.**  
Northville, MI 48167  
1-800-659-4731  
www.masonpro.com