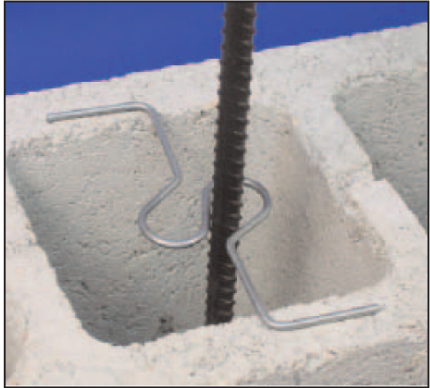
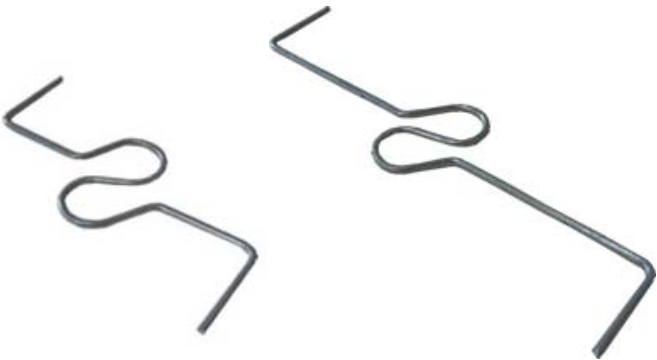




PRODUCT DATA SHEET

Rebar Positioners

Rebar Centering/Laping



Product Description

Dimension:

- Available for 8" & 12" C.M.U.

Finish:

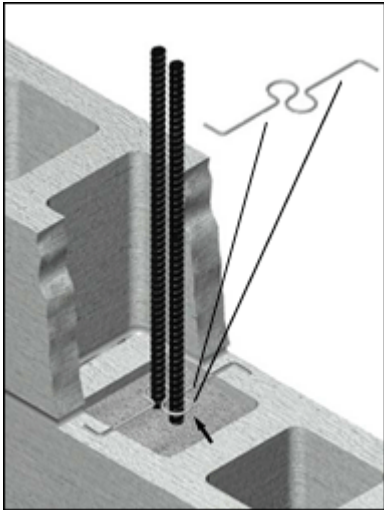
- Mill Galvanized/Zinc Coating:
Per ASTM A641/A641M (0.10 oz per sq ft)

Uses:

- Positions rebar in center of core
- Simplifies laping

Advantages:

- Economical
- Stock Item



For technical assistance call us toll free at 1-800-659-4731.