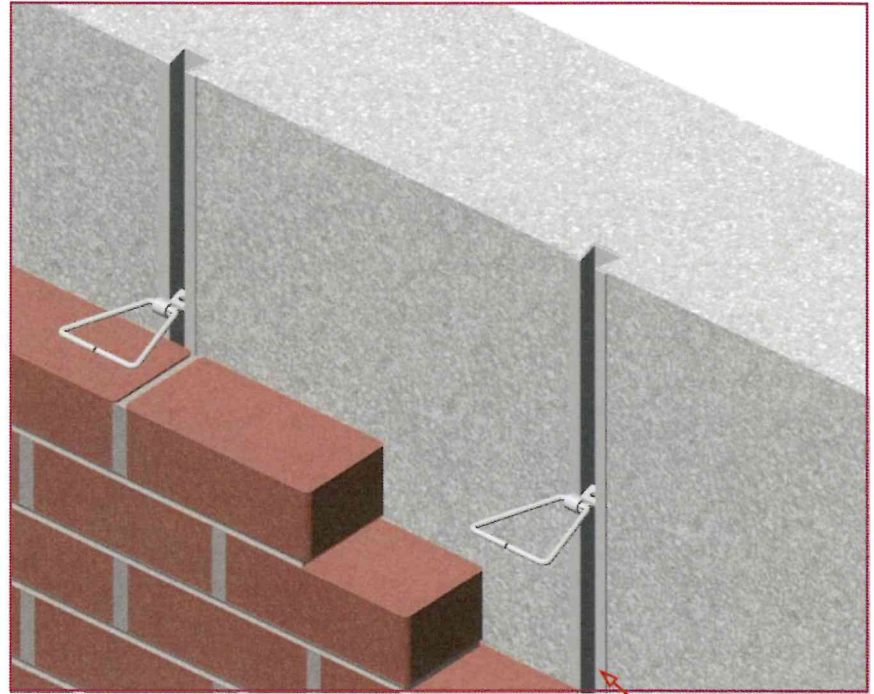
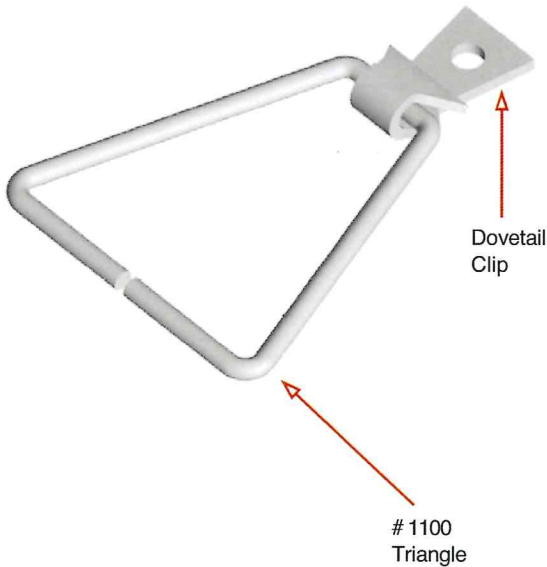



PRODUCT SUBMITTAL



2102 Dovetail Triangular Tie



1304 Dovetail Slot

MATERIAL CONFORMANCE		SIZES / FINISHES	
<p>ASTM A82 / A82M - (Cold drawn steel wire) Tensile Strength - 80,000 psi Yield Point - 70,000 psi</p> <p>ACI / ASCE 530 - (Building code requirements for masonry structures)</p> <p>SHEET METAL - (Carbon Steel) ASTM A1008 / A1008M</p> <p>Mill Galvanized / Zinc Coating: ASTM A641 / A641M (0.10 oz per sq ft) Hot Dip Galvanized after fabrication / Zinc Coating ASTM A153 / A153M-B2 (1.50 oz per sq ft) Stainless Steel ASTM 580 / ASTM 580M Type 304 (Type 316 available on special order)</p> <p>Steel Products (flats): Mill Galvanized & Hot Dip, 59.2% Post-Consumer 8.8% Post Industrial / Pre-Consumer</p> <p>Stainless Steel, 60% Post Consumer V O C Content - 0%</p>		<p># 1100 Triangle Diameter:</p> <p><input type="checkbox"/> 3/16"Ø <input type="checkbox"/> 1/4"Ø</p> <p># 1100 Triangle Size:</p> <p><input type="checkbox"/> 3" x 3" <input type="checkbox"/> 6" x 6" <input type="checkbox"/> 4" x 4" <input type="checkbox"/> 7" x 7" <input type="checkbox"/> 5" x 5" <input type="checkbox"/> 7" x 9"</p> <p># Dovetail Clip: 12ga x 1" with 5/16"Ø hole</p> <p>Other _____</p> <p><input type="checkbox"/> Mill Galvanized / Zinc Coating: ASTM A641 / A641M (0.10 oz per sq ft)</p> <p><input type="checkbox"/> Hot Dip Galvanized after fabrication / Zinc Coating ASTM A153 / A 153 - B2 (1.50 oz per sq ft)</p> <p><input type="checkbox"/> Stainless Steel ASTM 580 / ASTM 580M Type 304 (Type 316 available on special order)</p>	
<p>WIRE Recycled Content: Mill Galvanized & Hot Dip, 85% Post-Consumer 13% Post Industrial / Pre-Consumer</p> <p>Stainless Steel, 60% Post Consumer V O C Content - 0%</p> 			



MASONPRO, Inc.
Northville, MI 48167
1-800-659-4731
www.masonpro.com