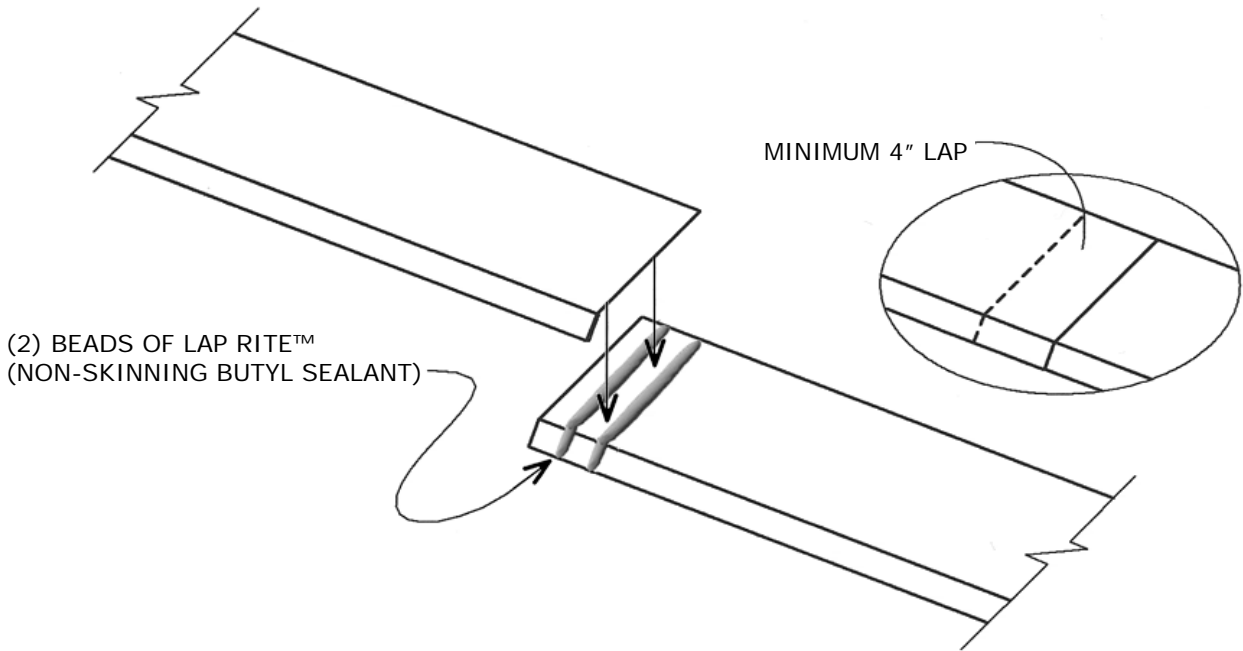
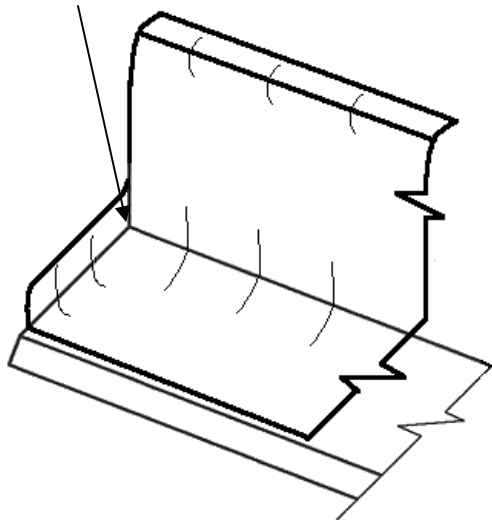


Metal Drip Edge Installation

(Installed under flexible flashing)



FORM END DAMS W/
FLEXIBLE FLASHING



Seal with:
LAP RITE™
(Non-Skinning Butyl Sealant)

