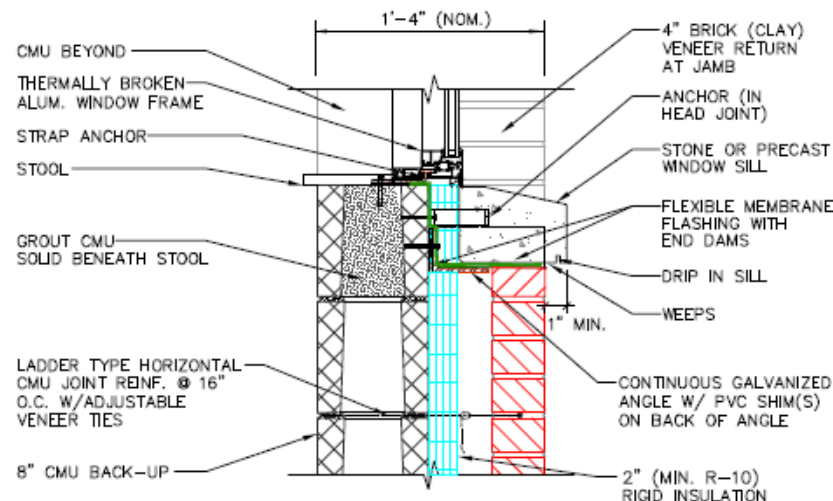


ISOMETRIC VIEW



SECTION VIEW

7B  
A-1

STONE/PRECAST SILL FOR STRAP STYLE WINDOWS  
2" RIGID INSULATION

IN CHARGE:	MIM
DRAWN:	M.W.F.
APPROVED:	T.A.D.
DATE:	11/04/2014
TITLE:	STONE/PRECAST SILL FOR STRAP STYLE WINDOWS
SHEET:	A-8.2

The decision to utilize this information is not within the purview of the MIM, and persons making use of this information do so at their own risk. MIM makes no representation or warranties, expressed or implied, with respect to the accuracy or suitability of this information. MIM and its members disclaim liability for damages of any kind, including any special, indirect, incidental, or consequential damages, which may result from the use of this information. This information is not to be interpreted as indicating compliance with, or waiver of, any provision of any applicable building code, ordinance, standard or law.