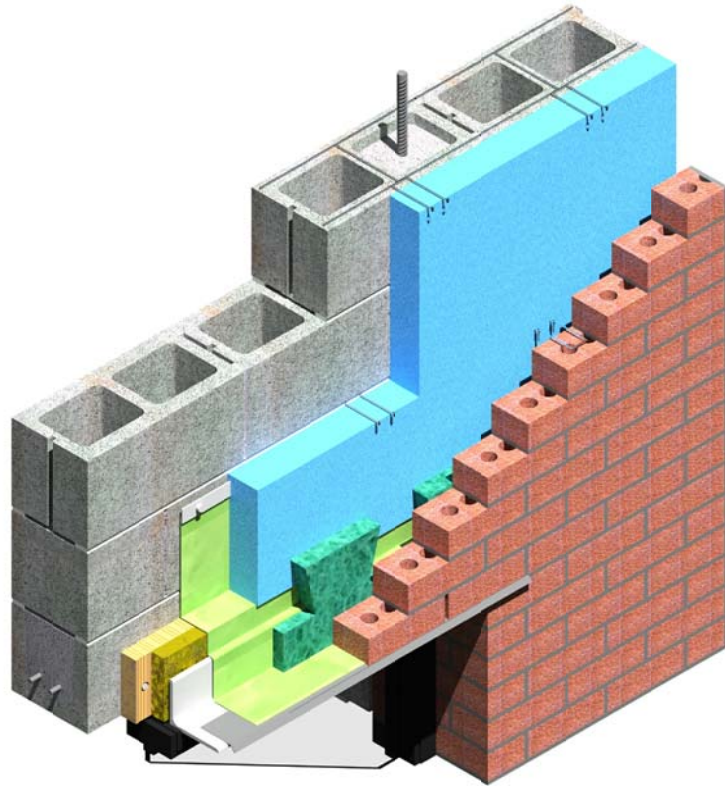


NOTE:

UNPROTECTED ALUMINUM DOOR AND WINDOW FRAMES CAN INTERACT WITH CEMENT-BASED MATERIALS AND INCUR DAMAGE. SEE PCA "MASONRY TODAY" VOLUME II, No. 1 FOR RECOMMENDATIONS.

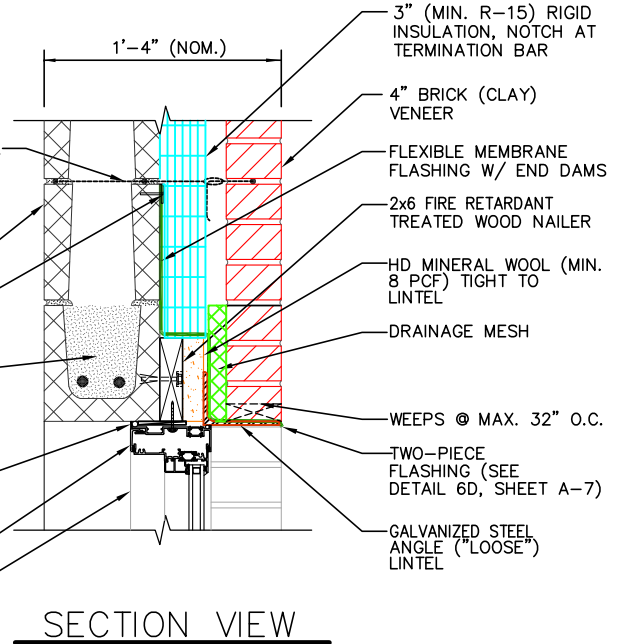
www.cement.org/masonry/cc_al_frames.asp



ISOMETRIC VIEW

NOTE: MASONRY LINTEL MAY BE PREFABRICATED OR FIELD ASSEMBLED

- LADDER TYPE HORIZONTAL JOINT REINF @ 16" O.C. W/ ADJUSTABLE VENEER ANCHORS
- 8" CMU BACK-UP
- 1 1/4" x 1/8" CONT. TERMINATION BAR W/ SEALANT
- LINTEL UNIT (W/ REINF, PER STRUCTURAL DESIGN) GROUTED SOLID
- SEALANT (BOTH SIDES) W/ BACKER ROD/ BOND BREAKER
- RECEPTOR FRAMING
- THERMALLY BROKEN ALUM. WINDOW FRAME



SECTION VIEW

3A
A-1

SHORT SPAN MASONRY LINTEL FOR RECEPTOR STYLE WINDOWS
(PREFERRED DETAIL)

DAILEY ENGINEERING, INC.
8485 STEPHENSON ROAD
ONSTED, MI 49266
PH. # (517) 467-9000



111 MASONRY
Institute of Michigan

DETAIL SET MW.8.RB.3 (CAVITY WALL W/ 3" RIGID INSULATION)

IN CHARGE:	MIM
DRAWN:	M.W.F.
APPROVED:	T.A.D.
DATE:	03/26/2019
TITLE:	SHORT SPAN MASONRY LINTEL FOR RECEPTOR STYLE WINDOWS
SHEET:	A-4.1