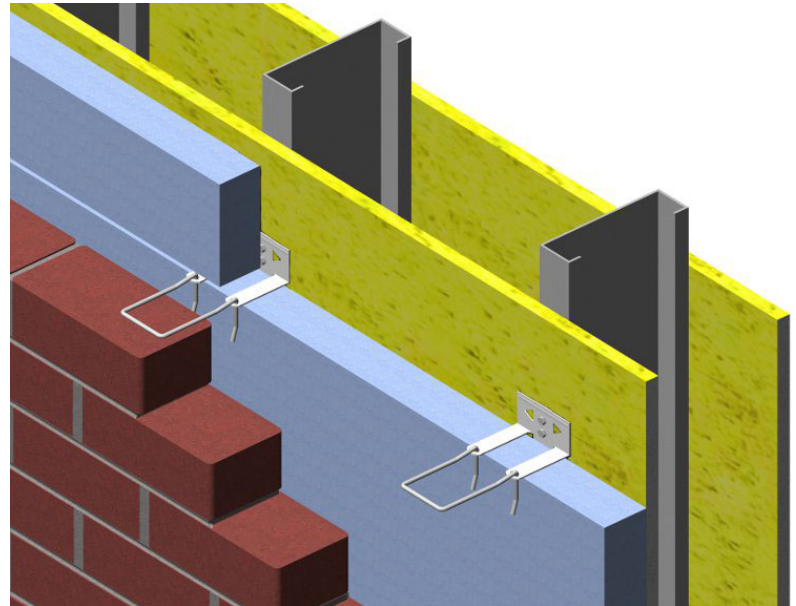
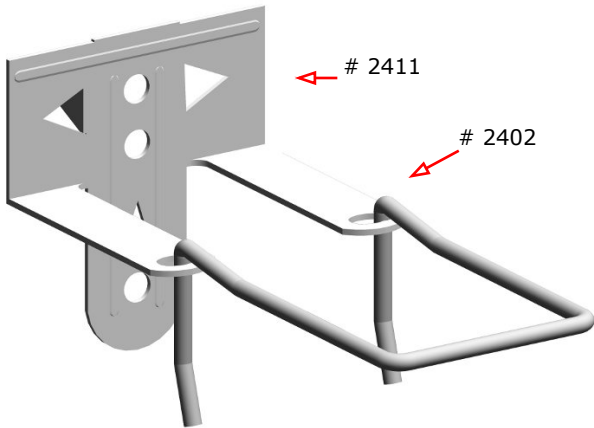



PRODUCT SUBMITTAL



2411 HCL-711 Adjustable Veneer Anchor

New design with 2 screw holes above the legs saves time while installing in insulation applications.



MATERIAL CONFORMANCE	SIZES / FINISHES
<p>ASTM A82 / A82M - (Cold drawn steel wire) Tensile Strength - 80,000 psi Yield Point - 70,000 psi</p> <p>ACI / ASCE 530 - (Building code requirements for masonry structures)</p> <p>SHEET METAL - (Carbon Steel) ASTM A1008 / A1008M</p> <p>Mill Galvanized / Zinc Coating: ASTM A641 / A641M (0.10 Oz per sq ft)</p> <p>Hot Dip Galvanized after fabrication / Zinc Coating ASTM A153 / A153M-B2 (1.50 oz per sq ft)</p> <p>Stainless Steel ASTM 580 / ASTM 580M Type 304 (Type 316 available on special order)</p> <p style="text-align: right;">WIRE Recycled Content: Mill Galvanized & Hot Dip, 82.8% Post-Consumer 17% Post Industrial / Pre - Consumer</p> <p style="text-align: right;">Stainless Steel, 60% Post Consumer V O C Content - 0%</p>	<p># 2411 HCL711:</p> <p><input type="checkbox"/> 14 gauge <input type="checkbox"/> 12 gauge <input type="checkbox"/> 5/8" prong <input type="checkbox"/> 1/2" prong</p> <p>Must be 3/4" more than insulation</p> <p>Insulation:</p> <p><input type="checkbox"/> 0" <input type="checkbox"/> 1" <input type="checkbox"/> 1-1/2" <input type="checkbox"/> 2" <input type="checkbox"/> 2-1/2" <input type="checkbox"/> 3"</p> <p># 2402 Hook: 3/16"Ø</p> <p><input type="checkbox"/> 3-1/4" <input type="checkbox"/> 4-1/4" <input type="checkbox"/> 5-1/4" Other _____</p> <p>FINISH:</p> <p><input type="checkbox"/> Mill Galvanized</p> <p><input type="checkbox"/> Hot Dip Galvanized</p> <p><input type="checkbox"/> Stainless Steel</p> <div style="text-align: right;">  </div>



www.wirebond.com

MASONPRO, Inc.
43300 Seven Mile Road
Northville, MI 48167
1-800-659-4731
www.masonpro.com