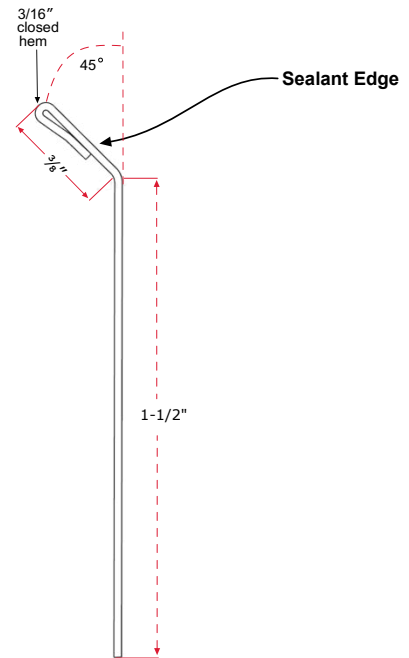



PRODUCT SUBMITTAL

WIRE-BOND

4210 Termination Bar - Stainless



MATERIAL CONFORMANCE	SIZES / FINISHES
<p>SHEET METAL:</p> <p>Stainless Steel Type 304: ASTM A240/A240M, ASTM 666, ASTM A480/A480M and ASTM A167 (Type 316 available on special orders)</p> <p>Steel Products (flats) Recycled Content: Stainless Steel, 60% Post Consumer</p> <p>V O C Content - 0%</p> 	<p>#4210 Termination Bar:</p> <p>Stainless Steel: 26 gauge x 1-1/2" wide by 8' sections</p> <p>3/8" 45° lip with a 3/16" closed hem and 5/16" Slotted holes: 8" O.C.</p>

WIRE-BOND

MASONPRO, Inc.
43300 Seven Mile Road
Northville, MI 48167
1-800-659-4731
www.masonpro.com