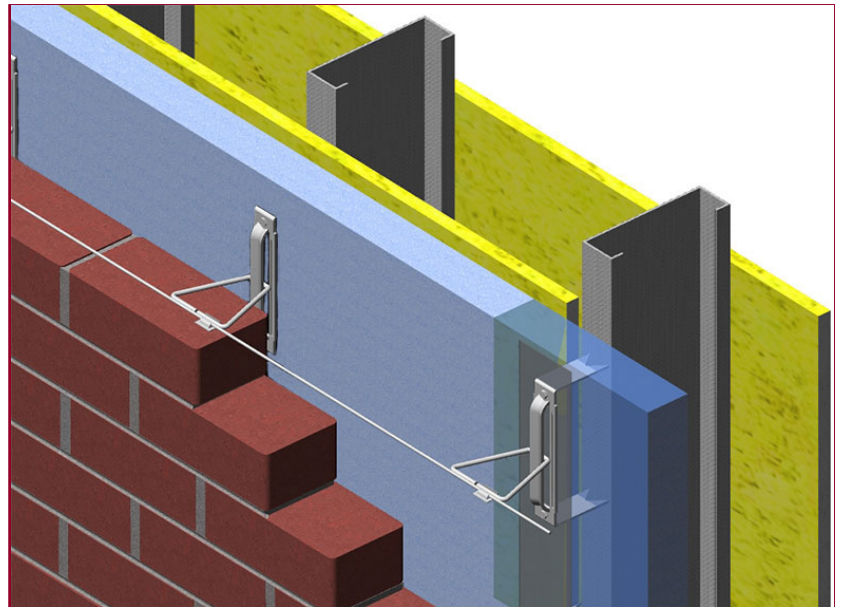
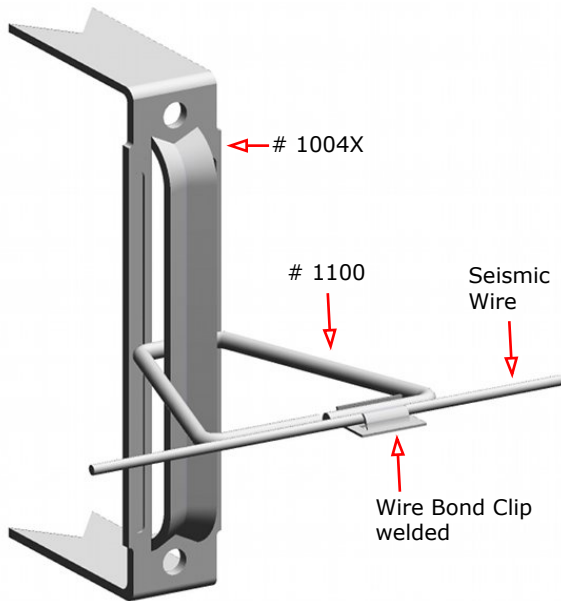



PRODUCT SUBMITTAL



1004X Type III X Screw On Veneer Anchor Seismic



MATERIAL CONFORMANCE	SIZES / FINISHES
<p>SHEET METAL - (Carbon Steel) ASTM A1008 / A1008M</p> <p>Mill Galvanized / Zinc Coating: ASTM A641 / A641M (0.10 Oz per sq ft)</p> <p>Hot Dip Galvanized after fabrication / Zinc Coating ASTM A153 / A153M-B2 (1.50 oz per sq ft)</p> <p>Stainless Steel ASTM 580 / ASTM 580M Type 304 (Type 316 available on special order)</p> <p>ASTM A82 / A82M - (Cold drawn steel wire) Tensile Strength - 80,000 psi Yield Point - 70,000 psi</p> <p>ACI / ASCE 530 - (Building code requirements for masonry structures)</p> <p>Recycled Content: Mill Galvanized & Hot Dip, 82.8% Post-Consumer 17% Post Industrial / Pre - Consumer</p> <p>Stainless Steel, 60% Post Consumer V O C Content - 0%</p>	<p># 1004 Type III X: 1-1/4" wide x 6" long</p> <p><input type="checkbox"/> 14 gauge <input type="checkbox"/> 12 gauge</p> <p>(Prong length to accommodate insulation)</p> <p>INSULATION: <input type="checkbox"/> 1" <input type="checkbox"/> 1-1/2" <input type="checkbox"/> 2" <input type="checkbox"/> 2-1/2" <input type="checkbox"/> 3"</p> <p># 1100 Triangle:</p> <p><input type="checkbox"/> 3/16" diameter</p> <p><input type="checkbox"/> 3"x3" <input type="checkbox"/> 4"x4" <input type="checkbox"/> 5"x5" <input type="checkbox"/> 6"x6" <input type="checkbox"/> 7"x7" <input type="checkbox"/> 7" x 9"</p> <p>Straight & Cut Seismic Wire</p> <p><input type="checkbox"/> 9 gauge <input type="checkbox"/> 3/16"</p> <p>FINISH:</p> <p><input type="checkbox"/> Mill Galvanized <input type="checkbox"/> Hot Dip Galvanized <input type="checkbox"/> Stainless Steel</p> 



MASONPRO, Inc.
43300 Seven Mile Road
Northville, MI 48167
1-800-659-4731
www.masonpro.com